

# Rolling Mill Bearing

## Illustrations of Typical Structures of Rolling Mill Bearing Arrangement

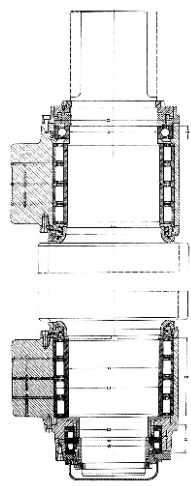


Fig.1 Backup roll bearing arrangement for high speed four roll cold strip rolling mill

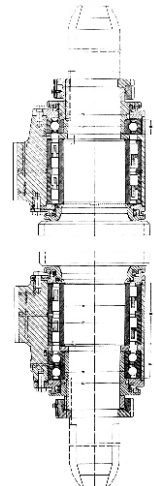


Fig.2 Backup roll bearing arrangement for normal speed four roll cold rolling mill

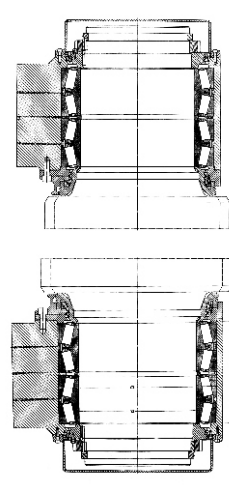


Fig.3 Backup roll bearing arrangement for four roll hot strip rolling mill

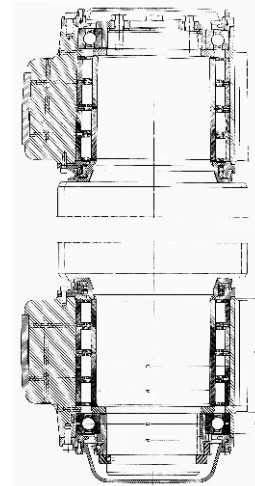


Fig.4 Roll neck bearing arrangement for double roll blooming mill stand and cogging mill

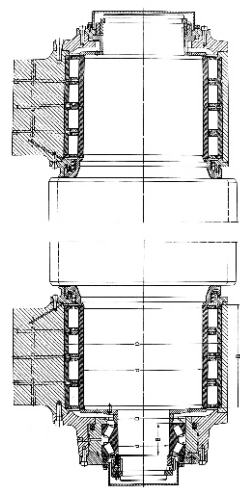


Fig.5 Intermediate framework roll neck bearing arrangement for high speed four-row mill

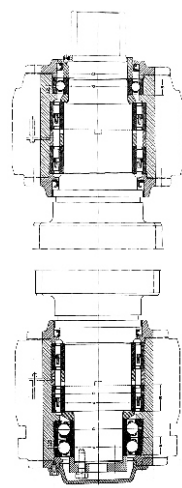


Fig.6 Intermediate framework roll neck bearing arrangement for double roll wire and blank and cogging mill

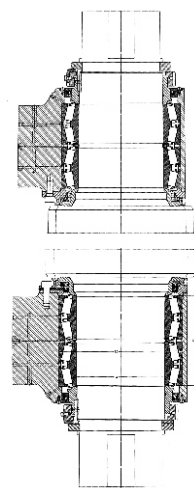


Fig.7 Intermediate framework roll neck bearing arrangement for low speed wire and small sized maerial

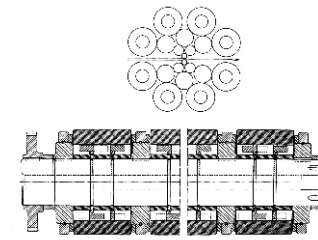


Fig.8 Backup roll bearing arrangement for 20 roll cold rolling mill

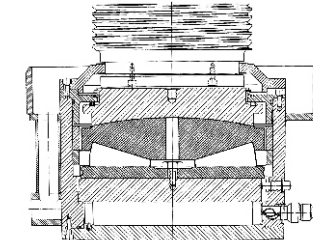


Fig.9 Bearing arrangement for screw-down mechanism of rolling mill

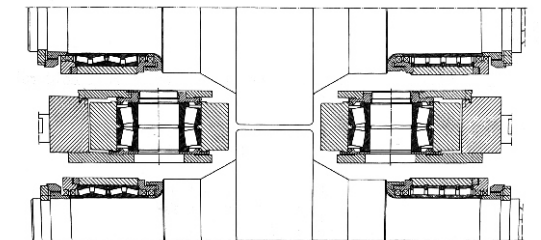
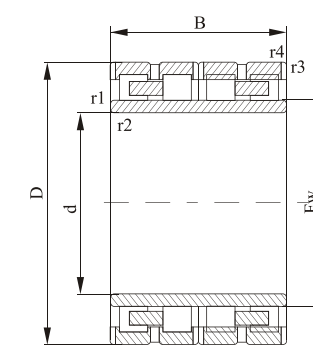
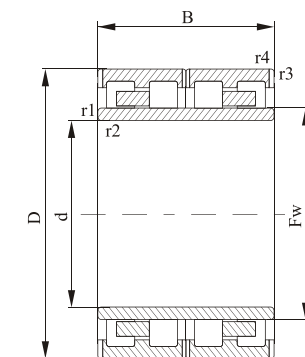
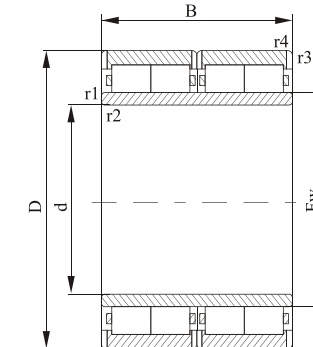
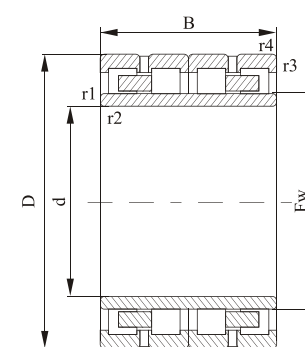
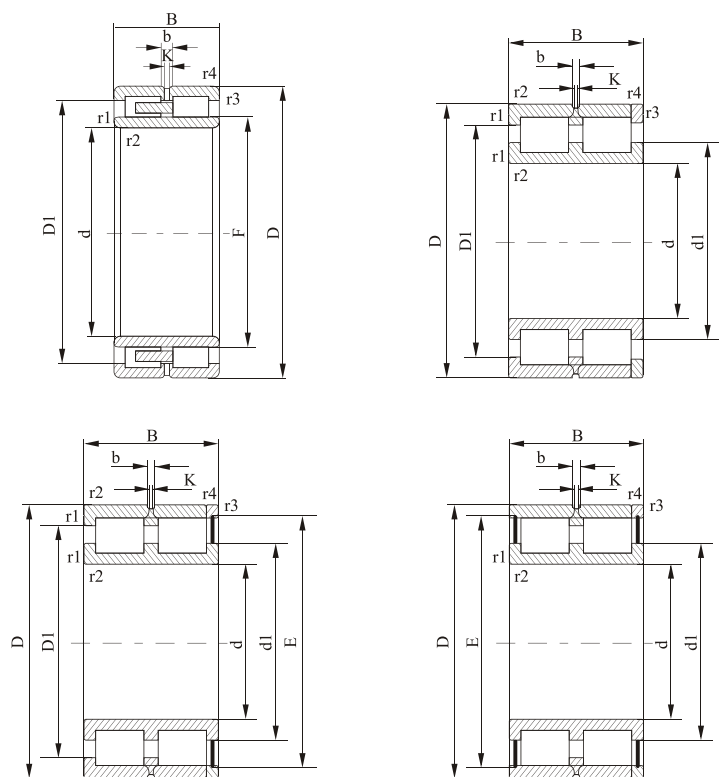


Fig.10 Bearing arrangement for H formed steel rolling mill

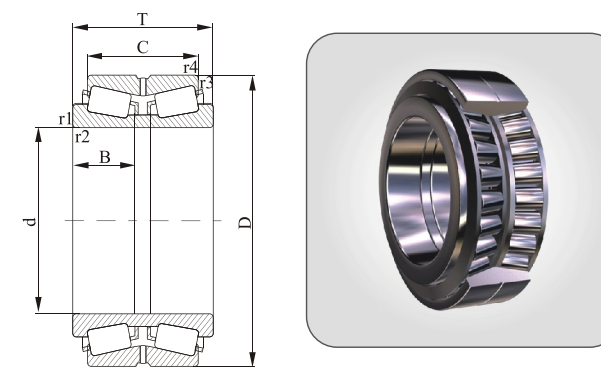
## Four-Row Cylindrical Roller Bearings



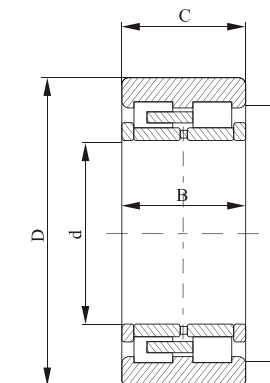
### Double-row cylindrical roller bearings



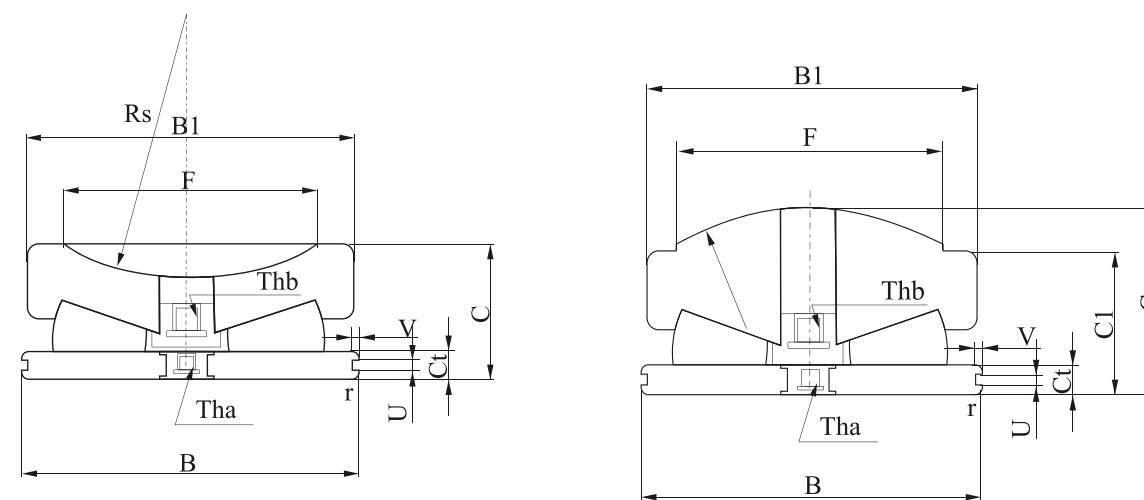
### Double-row taper roller bearings



### Sendzimir bearings



### Full complement taper roller thrust bearings for screw down mechanisms



### Four-row taper roller bearings

